



TP-4100/TPM-4100

10.4" 800 x 600 (Aluminum) Resistive Touch Panel with RS-232 or USB, (w/o) Power Supply

Features

- 10.4" LCD Supports 800 x 600 Resolution
- Resistive Touch Panel
- Full-function OSD Control
- Driver Support:
Windows 2k/XP/Vista/7/8/10/WES/WinCE 5.0/6.0/7.0/Linux
- LED Backlight Technology
- Aluminum Casing for TPM-4100
- IP65 Compliant Front Panel
- Wide Operating Temperature: -20 ~ +70°C



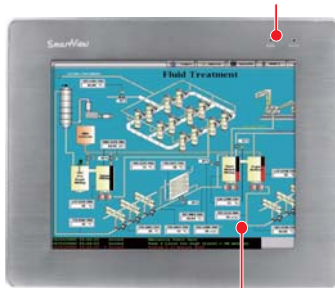
Introduction

The TP-4100/TPM-4100 Panel Mount Monitor adopts a standard 10.4" TFT LCD screen with rugged aluminum front bezel and supports 800 x 600 resolution, and -20 ~ +70°C operating temperature. The TP-4100/TPM-4100 is also guaranteed to work with ICP DAS PAC control system, such as WP-8000 series, LX-8000 series and XP-9000 series.

Appearance

TP-4100

2 x LED Indicator (Data, Power)

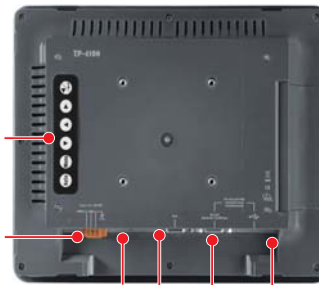


10.4" Touch Panel

Front View

OSD Control

Power Input

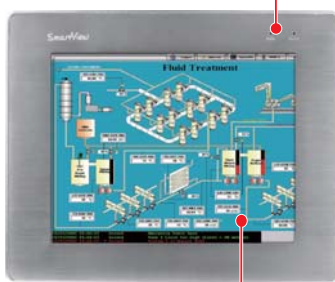


Power Switch VGA Port RS-232
USB Port (Combo)

Back View

TPM-4100

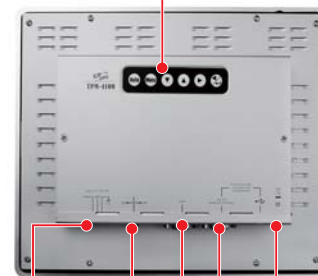
2 x LED Indicator (Data, Power)



10.4" Touch Panel

Front View

OSD Control



Power Input VGA Port USB (Combo)
RS-232

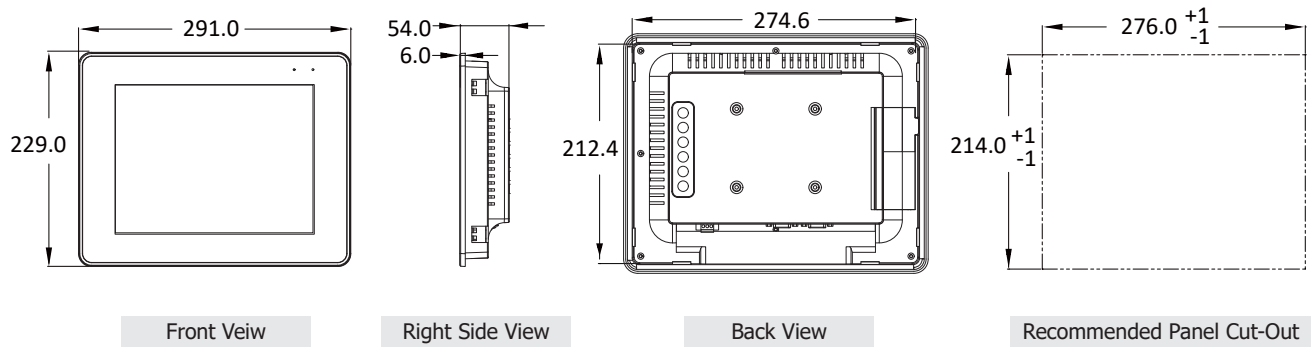
Back View

Specifications

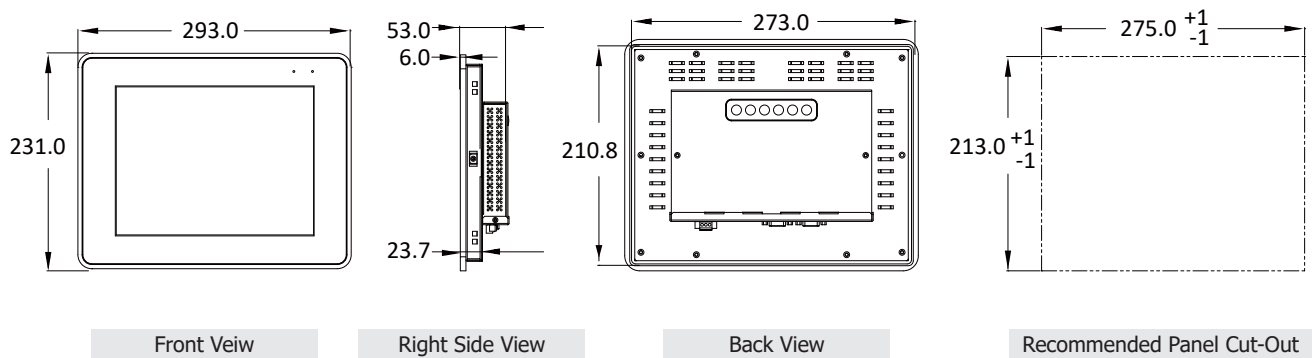
Models	TP-4100	TPM-4100
Display		
Size	10.4"	
Resolution	800 x 600	
Brightness	400 cd/m ²	
Backlight Life	50,000 hours	
Touch Panel	5-wire, analog resistive; light transmission: 80%	4-wire, analog resistive; light transmission: 80%
Contrast Ratio	500 : 1	
HMI		
LED Indicator	1 x Power, 1 x Display	
OSD Control	Functions: Brightness, Contrast, Clock, Phase, Horizontal Position, Vertical Position and Sharpness	
Power Switch	Yes	
Communication Ports		
USB Port	1 (RS-232 and USB cannot be used simultaneously)	
COM Port	1 x RS-232 (Combo, RS-232 and USB cannot be used simultaneously)	
Mechanical		
Casing	Plastic	Aluminum
Dimensions (W x L x H)	291 mm x 229 mm x 54 mm	291 mm x 231 mm x 53 mm
Panel Cut-Out (W x H)	276 mm x 214 mm, +/- 1 mm	275 mm x 213 mm, +/- 1 mm
Weight	4.1 kg	
Installation	Panel Mounting, VESA Mounting (75 mm x 75 mm)	Panel Mounting
Ingress Protection	Front Panel: IP65	
Environmental		
Operating Temperature	-20 ~ +70 °C	
Storage Temperature	-30 ~ +80 °C	
Humidity	10 ~ 90 % RH, Non-condensing	
Power		
Input Range	+12 ~ 48 VDC	
Consumption	8.5 W	

■ Dimensions (Units: mm)

TP-4100



TPM-4100



■ Ordering Information

TP-4100 CR	10.4" 800 x 600 Resistive Touch Panel with RS-232 or USB, and Power Supply (RoHS)
TP-4100/NP CR	10.4" 800 x 600 Resistive Touch Panel with RS-232 or USB, w/o Power Supply (RoHS)
TPM-4100 CR	10.4" 800 x 600 Aluminum Resistive Touch Panel with RS-232 or USB, and Power Supply (RoHS)
TPM-4100/NP CR	10.4" 800 x 600 Aluminum Resistive Touch Panel with RS-232 or USB, w/o Power Supply (RoHS)